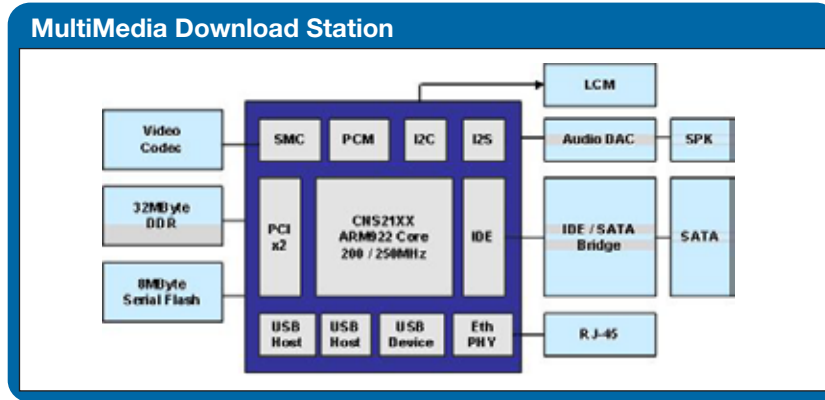




## Embedded ARM Processors

# ECONA CNS21XX Connected Home and Office Processors

Product Brief



### CNS21XX APPLICATIONS

- Software VoIP ATA/IP Phone, Cordless-over-IP
- Network Storage/Download Station (USB/IDE)
- MIMO Access Point
- Wireless IP Camera/Surveillance DVR
- Internet Stereo Radio Tuner
- UWB Device/Host Wire Adapter (DWA/HWA)
- Network Processor for Smart/Management Gigabit Ethernet Switch Controller
- Serial Server (RS232-to-Ethernet/802.11)

### SOFTWARE SUPPORT

- Embedded Linux BSP
- Technical Documents (data sheets, user guides, application notes, and test reports etc.)
- Reference design schematics

### ECONA CNS21XX - Product Family

Device	Part Number*	SPI Serial Flash	Parallel Flash	DDR/SDR	Memory I/O	PHY + MAC 10/100M	MAC only RGMII/MII	Interfaces						PCI 2.2 Host	Package
								USB Host 1.1/2.0 PHY /CTL	USB Device 1.1/2.0 PHY /CTL	IDE	I2S & I2C	PCM	UART		
CNS2131	CNS2131-XXXFP128-Option Code	X		X		X		2 ports			X	X	2 ports		PQFP-128
CNS2132	CNS2132-XXXFP128-Option Code	X		X		X		2 ports	1 port		X		1 port		PQFP-128
CNS2133	CNS2133-XXXBG269-Option Code	X	X	X	X	X		2 ports	1 port	X	X	X	2 ports	32-bit/66 MHz up to 2 devices	LFBGA-269
CNS2181	CNS2181-XXXFP128-Option Code	X		X			X	2 ports					2 ports		PQFP-128
CNS2182	CNS2182-XXXBG269-Option Code	X	X	X	X		X	2 ports		X	X	X	2 ports	32-bit/66 MHz up to 2 devices	LFBGA-269

\*Part Number Options:

XXX = Device Speed Grade (200 = 200 MHz, 250 = 250 MHz)